

Operator for
sliding gates of
up to 2,200 Kg
4,850 lb

Bk



**Total automation
flexibility for multi-user
access ways**

Bk is the ideal solution when automating apartment blocks and industrial facility access ways. Its complete range features nine versions designed to meet the gate's duty and weight requirements.

CAME

Made in Italy



For its quality processes management Came Cancelli Automatici is ISO 9001:2000 certified, and for its environmental management it is ISO 14001 certified. Came designs and manufactures entirely in Italy.



The range

Complete automation systems with 230V A.C. motor

- BK-800** Automation system complete with control board, radio decoder and mechanical endstops for sliding gates of up to 800 Kg / 1,760 lb.
- BK-1200** Automation system complete with control board, radio decoder and mechanical endstops for sliding gates of up to 1,200 Kg / 2,640 lb.
- BK-1200P** Automation system complete with control board, built-in radio decoder, mechanical endstops and PRATICO SYSTEM radio release with a 12V - 1.2 Ah battery for gates weighing up to 1,200 Kg / 2,640 lb. (notes)
- BK-1800** Automation system complete with control board, radio decoder and mechanical endstops for sliding gates of up to 1,800 Kg / 3,970 lb.
- BK-2200** Automation system complete with control board, radio decoder and mechanical endstops for sliding gates of up to 2,200 Kg / 4,850 lb with module 6 pinion.
- BKE-1200** Automation system complete with control board, radio decoder, encoder-based movement control for sliding gates of up to 1,200 Kg / 2,640 lb and 13 m / 42.65 ft.
- BKE-1800** Automation system complete with control board, radio decoder, encoder-based movement control for sliding gates of up to 1,800 Kg / 3,970 lb and 13 m / 42.65 ft.
- BKE-2200** Automation system complete with control board, radio decoder, encoder-based movement control for sliding gates of up to 2,200 Kg / 4,850 lb and 13 m / 42.65 ft with module 6 pinion.



Automation system with 230-400V A.C. 3-phase

- BK-2200T** Operator with module 6 pinion.



Control panels for 230-400V A.C. 3-phase operator

- ZT6** Control panel with built-in radio decoder and self-diagnosing safety devices.
- ZT6C** Control panel, complete with safety block and buttons, including a built-in radio decoder and self-diagnosing safety devices.



Accessories

- R001** Lock cylinder with DIN key.
- B4353** Chain transmission device.
- CCT** 1/2" in simple chain for B4353.
- CGIU** Joint for 1/2" in chain.
- CGZ** Galvanized rack in rolled steel 22 x 22 mm 0.86 x 0.86 in module 4.
- CGZS** Galvanized rack in rolled steel 30 x 8 mm 1.18 x 0.31 in module 4 with securing holes and spacers.
- CGZ6** Galvanized rack in rolled steel 30 x 30 mm 1.18 x 1.18 in module 6.

Technical features

Type	BK-800	BK-1200/E	BK-1200P	BK-1800/E	BK-2200/E	BK-2200T

120V A.C. - 60 Hz PRODUCTS, PLEASE CHECK OUR PRICE LIST

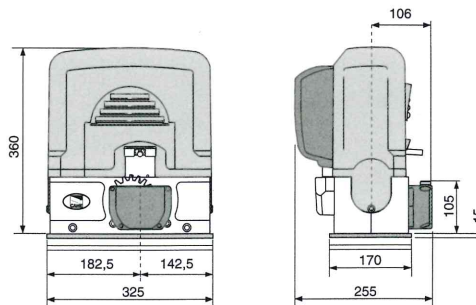
● 230V A.C. ● 230-400V A.C. 3-phase

Limits to use

Model	BK-800	BK-1200	BK-1200P	BK-1800	BK-2200	BK-2200T
Max weight of gate leaf (Kg / lb)	800 / 1,760	1,200 / 2,640	1,200 / 2,640	1,800 / 3,970	2,200 / 4,850	2,200 / 4,850
Max length of gate leaf (m / ft)	20 / 65.61	20 / 65.61	20 / 65.61	20 / 65.61	20 / 65.61	20 / 65.61
Model	BK-1200E		BK-1800E		BK-2200E	
Max weight of gate leaf (Kg / lb)	1,200 / 2,640		1,800 / 3,970		2,200 / 4,850	
Max length of gate leaf (m / ft)	13 / 42.65		13 / 42.65		13 / 42.65	

● 230V A.C. ● 230-400V A.C. 3-phase

Dimensions



© Came KDEP#CEN03A3S10408 - 07/2011

CAME
CANCELLI AUTOMATICI
S.p.A.

via Martiri della Libertà, 15
 31030 Dossan di Casier
 Treviso - ITALY
www.came.com - info@came.it

The data and information shown in this catalogue are subject to change without the obligation to give prior notice by Came cancelli automatici S.p.A.

